

PNCA01-PC Outdoor Dual Lens People Counting Camera



smart IPC

PNCA01-PC is a specialized people counting camera, supporting separate counting of people entering, exiting, and passing by.

The camera combines various crucial and advanced technologies, including binocular stereo vision, 3D people detection and tracking, and height filtering, to guarantee high accuracy.

- 1/3" Progressive Scan CMOS
- Dual lens, dual CPU, support stereo views
- 2 mm/2.8 mm/4 mm lens, optional
- Max. resolution 640 × 960
- H.264
- Flash memory storing people counting data
- 3D digital noise reduction
- 12 VDC/PoE
- Up to 5 m IR range
- IP66

Specifications

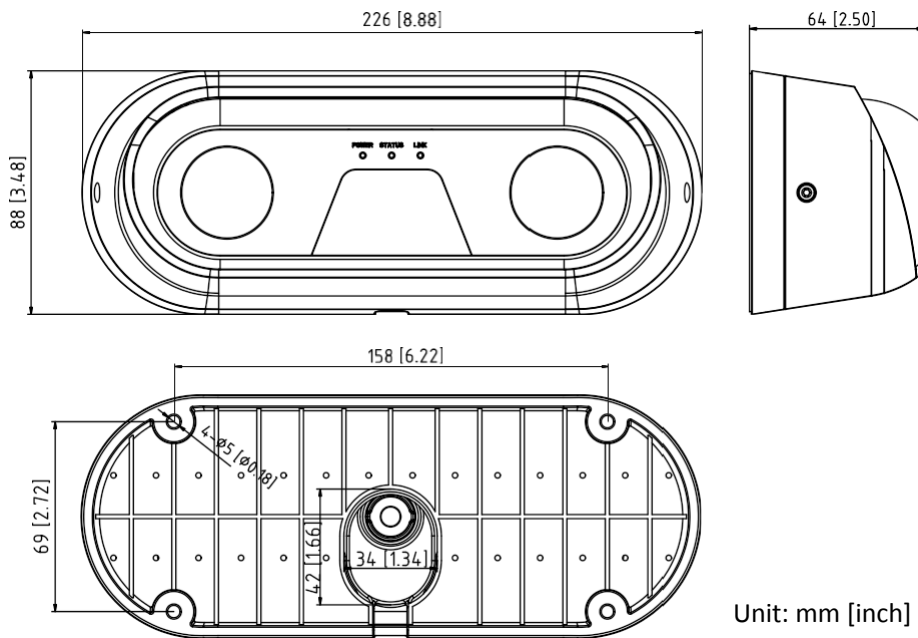
Camera	
Image Sensor	1/3" Progressive Scan CMOS
Shutter Speed	1/25 s to 1/10,000 s
Auto-iris	Manual
Digital Noise Reduction	3D DNR
Angle Adjustment	Tilt: 0° to 45°
Lens	
Focal length	2mm, 2.8 mm and 4 mm, optional
Aperture	2.0 mm: F2.2 2.8 mm: F2.0 4 mm: F2.2
FOV	2 mm: horizontal FOV 105°, vertical FOV 89° 2.8 mm: horizontal FOV 83°, vertical FOV 68° 4 mm: horizontal FOV 63°, vertical FOV 55°
Lens Mount	M12
IR	
IR Range	Up to 5 m
Compression Standard	
Video Compression	Main stream: H.264 Sub-stream: H.264
H.264 Type	Baseline Profile/Main Profile/High Profile
Video Bit Rate	32 Kbps to 8 Mbps
People Counting	
Statistics	Support separate counting of people entering, exiting, and passing by
Data Uploading	Support real-time uploading and uploading by statistic cycle
Email Report	Daily, weekly, monthly, and annual report supported
Height Filter	Support
Image	
Max. Resolution	640 × 960
Main Stream Max. Frame Rate	50Hz: 25fps (640 × 480) 60Hz: 24fps (640 × 480)
Sub-stream Max. Frame Rate	50Hz: 25fps (640 × 960) 60Hz: 24fps (640 × 960)
Image Enhancement	3D DNR
Image Setting	Brightness and sharpness are adjustable by client software or web browser
Day/Night Switch	Auto, scheduled, day, and night
Network	
Alarm Trigger	Video tampering, alarm input, alarm output, network disconnected, IP address conflict, illegal login
Protocols	TCP/IP, ICMP, HTTP, HTTPS, FTP, DHCP, DNS, DDNS, RTP, RTSP, RTCP, NTP, UPnP, SMTP, SNMP, IGMP, 802.1X, QoS, IPv6, UDP, Bonjour
General Function	Anti-flicker, heartbeat, password protection, watermark, email data report
API	ISAPI, RS-485, HTTP
Simultaneous Live View	Up to 6 channels
User/Host	Up to 32 users

	3 levels: Administrator, Operator and User
Client	iVMS-4200
Web Browser	IE8+, Chrome31-44, Firefox 30.0 - 51
Interface	
Communication Interface	1 RJ45 10M/100M Ethernet port 1 RS-485 interface
Alarm	2 inputs, 1 output (up to 24 VDC 1 A, or 110 VAC 500 mA)
General	
Operating Conditions	-30°C to +60°C (-22 °F to +140 °F), Humidity 95% or less (non-condensing)
Power Supply	12 VDC ± 25%, terminal block PoE (802.3af, class 3)
Power Consumption and Current	12 VDC, max. 7 W, 0.6A PoE(802.3af, 36 V to 57 V), max. 7 W, 0.2 A to 0.13 A
Protection Level	IP66
Material	Body: metal; enclosure: plastic
Dimensions	Camera: 226 × 88 × 64 mm (8.88" × 3.48" × 2.50") Package: 260 × 125 × 125 mm (10.24" × 4.92" × 4.92")
Weight	Approx.850 g (1.87 lb.), 1050 g (2.31 lb.) with package

Available Models:

PNCA01-PC

Dimensions:



Accessories:



PTH-275ZJ-P1

Horizontal pole mount

Installation Recommendation

Focal Length (mm)	Mounting Height (m)	Max. Detection Span (m)
2.0	2.5	1.8
2.0	3.0	2.9
2.0	3.5	4.0
2.0	4.0	5.2
2.8	3.0	2.2
2.8	3.5	3.1
2.8	4.0	4.0
2.8	4.5	4.8
2.8	4.7	5.2
4.0	4.0	2.8
4.0	4.5	3.4
4.0	5.0	4.0
4.0	5.5	4.6
4.0	6.0	5.2

Note: Mounting height of 2.0 mm lens camera should be no higher than 4 meters. Mounting height of 2.8 mm lens camera should be no higher than 4.8 meters.

